

: 95HIF9G

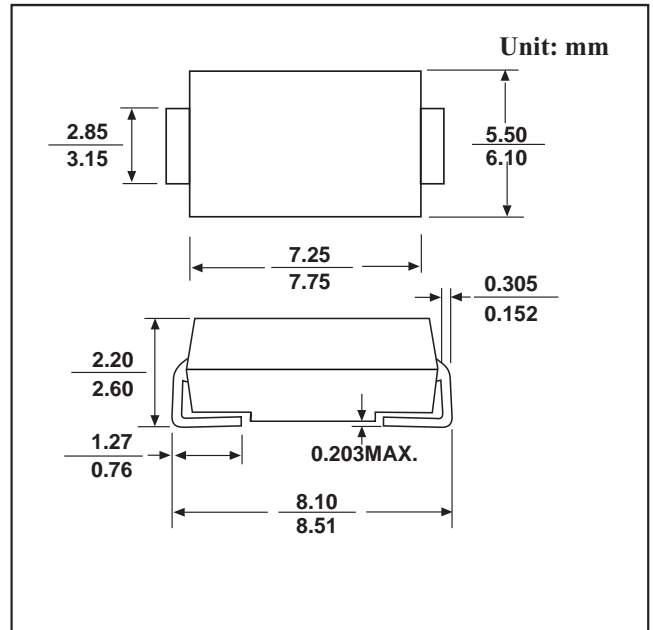
High speed data rate @ 10x1000us, excellent performance

Optimized for LAN protection applications

Low power consumption & excellent performance

Fast response time: typically less than 1ps from 0V to V(BR) for uni-directional and 5.0ns for bi-directional types

High temperature soldering gBring xHigh



DEVICES FOR BIDIRECTIONAL APPLICATIONS

High speed data rate @ 10x1000us, excellent performance

Optimized for LAN protection applications

(T_A=25°C unless otherwise specified)

Part Number	Part Number	Device Marking Code		Reverse Stand off Voltage V _R (Volts)	Breakdown Voltage V _{BR} (Volts) @ I _T		Test Current I _T (mA)	Maximum Clamping Voltage V _C @ I _{PP} (Volts)	Maximum Peak Pulse Current I _{PP} (A)	Maximum Reverse Leakage I _R @ V _R (μ A)
		UNI	BI		MIN	MAX				
502SMDJ5.0A	502SMDJ5.0CA	HDE	IDE	5	6.4	7.07	10	9.2	326.1	500



Fig3. Pulse Waveform

Fig4. Typical Junction Capacitance